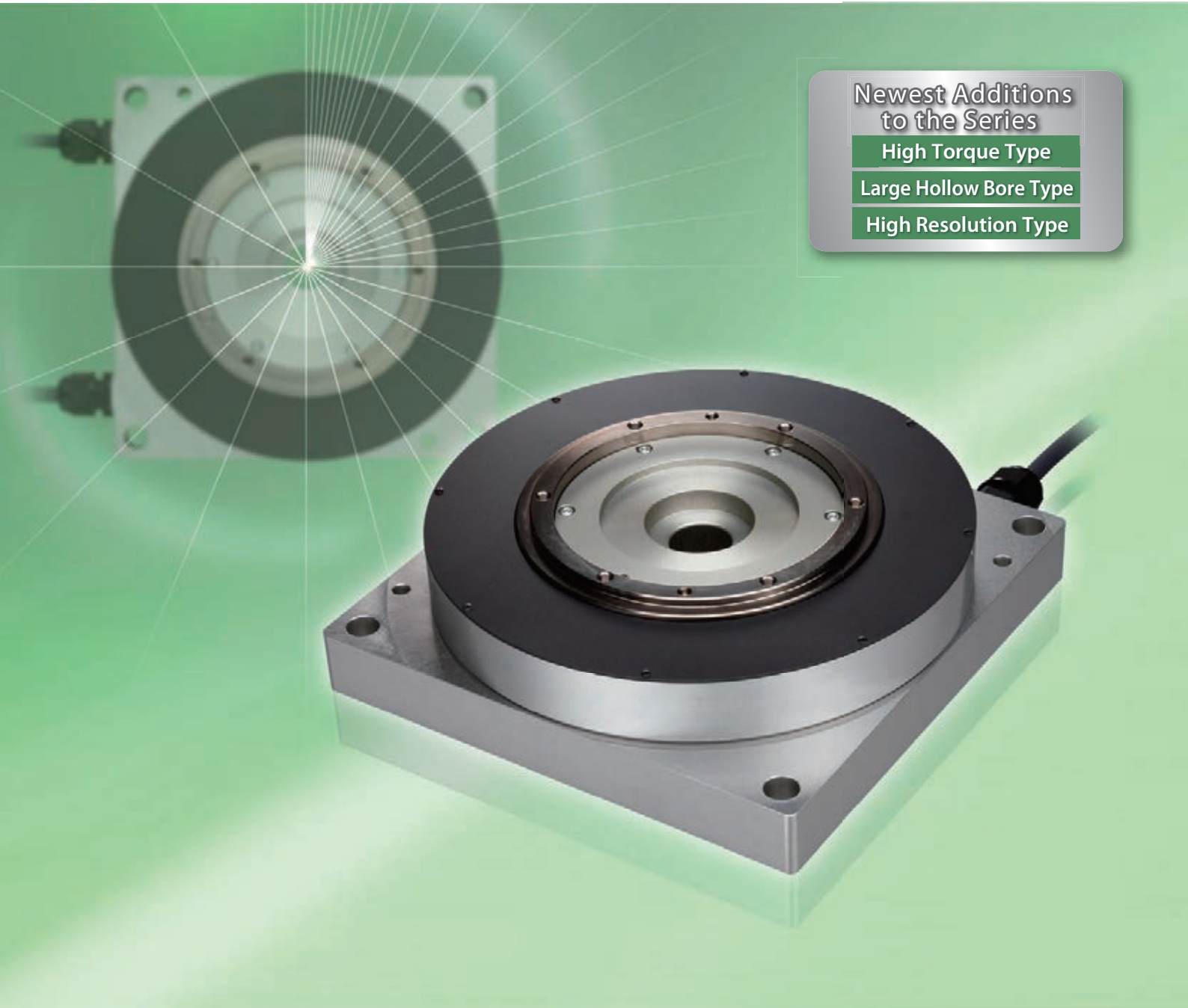


Direct Drive Motor **DD**



Newest Additions
to the Series

- High Torque Type
- Large Hollow Bore Type
- High Resolution Type

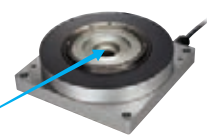

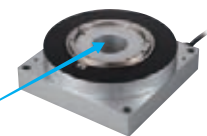
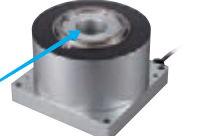
High Speed, High Payload, High Accuracy, Introducing A Direct Drive Motor Boasting

Features

The Direct Drive Motor is a rotary actuator that directly drives a rotary table with a motor without using any speed reducing mechanism such as a belt or reduction gears.

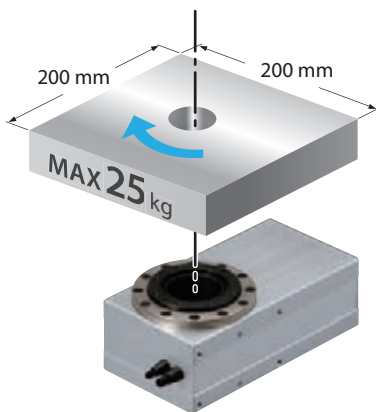
Eliminating the speed reducing mechanism explains why high speed and excellent response can be attained with such a compact frame.

1 High Torque Type, Large Hollow Bore Type — Latest Additions to the Series

	Slim type (Rated torque: 8.4 N·m)	High torque type (Rated torque: 25 N·m)
Standard Hollow bore type	T18 type Hollow bore: ø20.5 mm 	H18 type Hollow bore: ø20.5 mm 
Large Hollow bore type	LT18 type Hollow bore: ø47.0 mm 	LH18 type Hollow bore: ø47.0 mm 

2 High Torque, High Payload

The series now includes models designed for high torque and high payload, so you can choose an ideal model for your application.

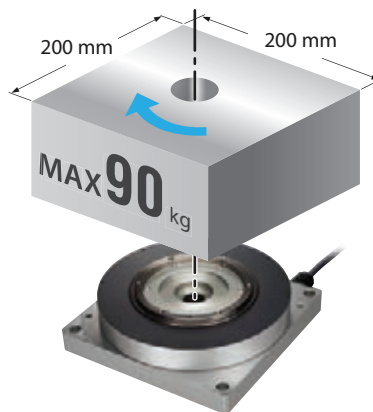


RCS2-RTC12L (reduction ratio 1/30)

Allowable moment of inertia

0.17 kg·m²

Max. instantaneous torque 8.6 N·m

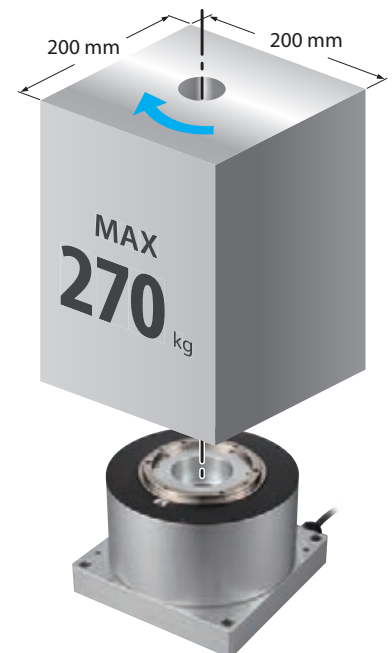


DD-T18/LT18 type

Allowable moment of inertia

0.60 kg·m²

Max. instantaneous torque 25.2 N·m



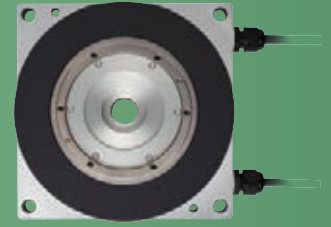
DD-H18/LH18 type

Allowable moment of inertia

1.8 kg·m²

Max. instantaneous torque 75 N·m

and Easy to Control! Ultimate Usability.

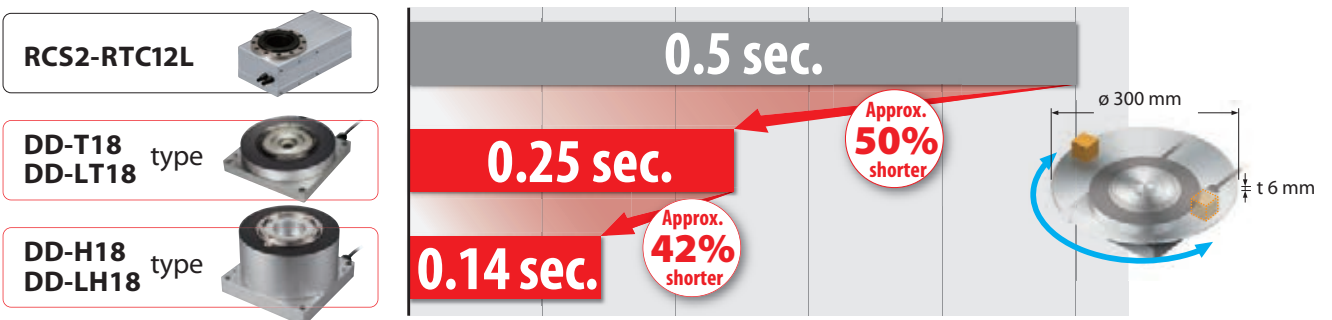


3 High Speed, High Acceleration/Deceleration

Shorter positioning time means shorter cycle time of your equipment, resulting in greater productivity.

<Comparison of Cycle Times>

Operating conditions: When a work part weighing 100 g is placed on an aluminum disc of 300 mm in diameter and 6 mm in thickness and rotated by 180 deg.



4 High Resolution Type Added

	High resolution type	Standard type
Model	DD-□18P	DD-□18S
Encoder resolution	20-bit 1 048 576 pulses/rev	17-bit 131 072 pulses/rev
Positioning repeatability	±0.00103 deg ±3.7 arcsec	±0.0055 deg ±19.8 arcsec

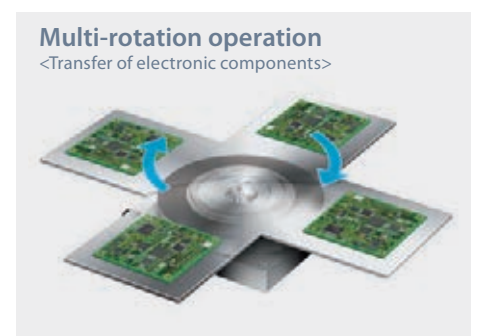
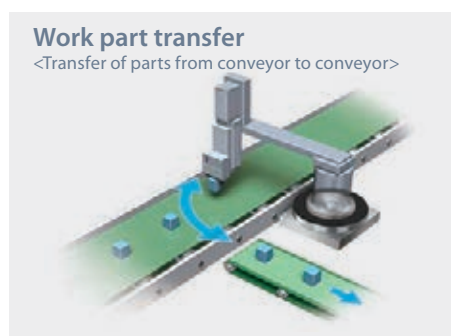
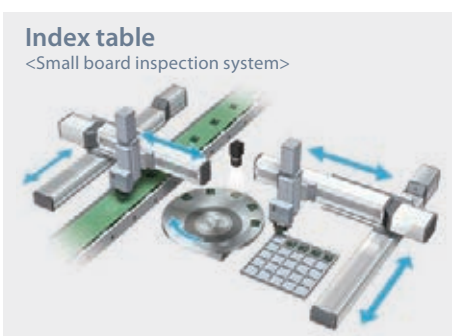
5 Index Type or Multi-rotation Absolute Type Can be Selected

The Direct Drive Motor comes in the index absolute type having an operating range of 0 to 359.999 deg and the multi-rotation absolute type having an operating range of ±9999 deg. Neither type requires a home return, meaning that once the power has been turned on, the actuator can move directly from the current position. The index type does not need an absolute battery.

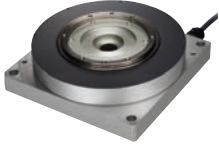
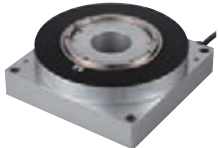
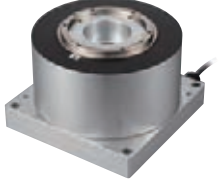
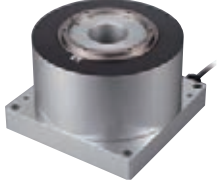
	Index absolute type	Multi-rotation absolute type
Range of operation	0 to 359.999 deg	±9999 deg(*)
Home return	Not required	Not required
Unlimited rotations	Yes	No
Absolute battery	Not required	Required

(*) Max. ± 2520 deg for the 20-bit specifications (T18P/LT18P/H18P/LH18P)

Application Examples



DD Motor Series List

Type	Standard bore, slim type		Large bore, slim type		Standard bore, high torque type		Large bore, high torque type	
	Standard (17-bit)	High resolution (20-bit)	Standard (17-bit)	High resolution (20-bit)	Standard (17-bit)	High resolution (20-bit)	Standard (17-bit)	High resolution (20-bit)
Encoder	Standard (17-bit)	High resolution (20-bit)	Standard (17-bit)	High resolution (20-bit)	Standard (17-bit)	High resolution (20-bit)	Standard (17-bit)	High resolution (20-bit)
Model	DD-T18S	DD-T18P	DD-LT18S	DD-LT18P	DD-H18S	DD-H18P	DD-LH18S	DD-LH18P
External view								
Rated torque (N·m)	8.4				25			
Max. instantaneous torque (N·m)	25.2				75			
Rated speed (deg/s)	1080				1440			
Maximum speed (deg/s)	1800				1440			
Allowable load inertia (kg·m ²)	0.6				1.8			
Motor wattage (W)	200				600			
Size (mm)	180 × 180				180 × 180			
Height (mm)	53		63		125			
Hollow bore (mm)	ø20.5		ø47		ø20.5		ø47	
Weight (kg)	5.6		6.2		13.6		13.2	
Encoder type	Index absolute Multi-rotation absolute							
Applicable controller	XSEL SCON-CA	SCON-CA	XSEL SCON-CA	SCON-CA	XSEL SCON-CA	SCON-CA	XSEL SCON-CA	SCON-CA
Reference page	P4		P5		P6		P7	

Model Description

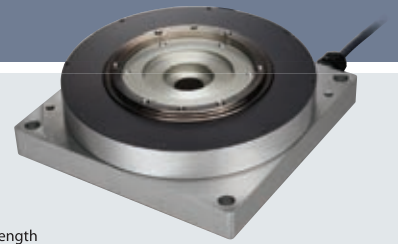
DD Series — **Type** — **Encoder type** — **Motor wattage** — **360** Oscillation angle — **T2** Applicable controller — **Cable length**

Type	Encoder	AI	AM	Motor wattage	Oscillation angle	Applicable controller	Cable length
T18S	Standard bore, slim	Standard (17-bit)	Index absolute	200	360 deg	SCON-CA	None
T18P	Standard bore, slim	High resolution (20-bit)	Multi-rotation absolute	200W		XSEL-P/Q	3m
LT18S	Large bore, slim	Standard (17-bit)		600			5m
LT18P	Large bore, slim	High resolution (20-bit)		600W			Specified length
H18S	Standard bore, high torque	Standard (17-bit)					
H18P	Standard bore, high torque	High resolution (20-bit)					
LH18S	Large bore, high torque	Standard (17-bit)					
LH18P	Large bore, high torque	High resolution (20-bit)					

Note: Only SCON-CA can be selected for the encoder high-resolution type (20-bit).

DD-T18

Direct Drive Motor Slim type
Standard bore



Model Specification Items

DD — **T18** — — — **200** — **360** — **T2** — — —

Series — Type — Encoder type — Motor wattage — Oscillation angle — Applicable controller — Cable length

S : Standard (17-bit) AI : Index absolute type 200 : 200W 360 : 360 deg T2 : SCON-CA XSEL-P/Q
 P : High resolution (20-bit) (Note 4) AM : Multi-rotation absolute type

Note : Only SCON-CA applies for T18P

X□□ : Specified length (Note 3)

Model/ Specifications

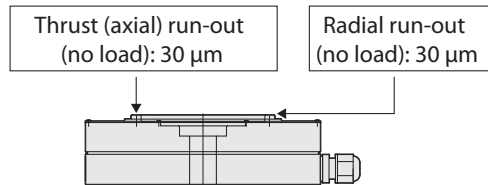
Model number	Encoder type	Motor wattage (W)	Range of operation (deg)	Speed (Note 1) (deg/s)	Rated torque (N-m) (*)	Maximum instantaneous torque (N-m)	Allowable load inertia (kg-m ²)	Rotor inertia (kg-m ²)
DD-T18①-②-200-360-T2-③	Index absolute type Multi-rotation absolute type	200	Refer to P9	1 to 1800	8.4	25.2	0.6	0.001984

Legend ① Encoder resolution ② Encoder type ③ Cable length (*) The value when installed on an IAI rated heat dissipating plate. (Please see P9 for further details.)

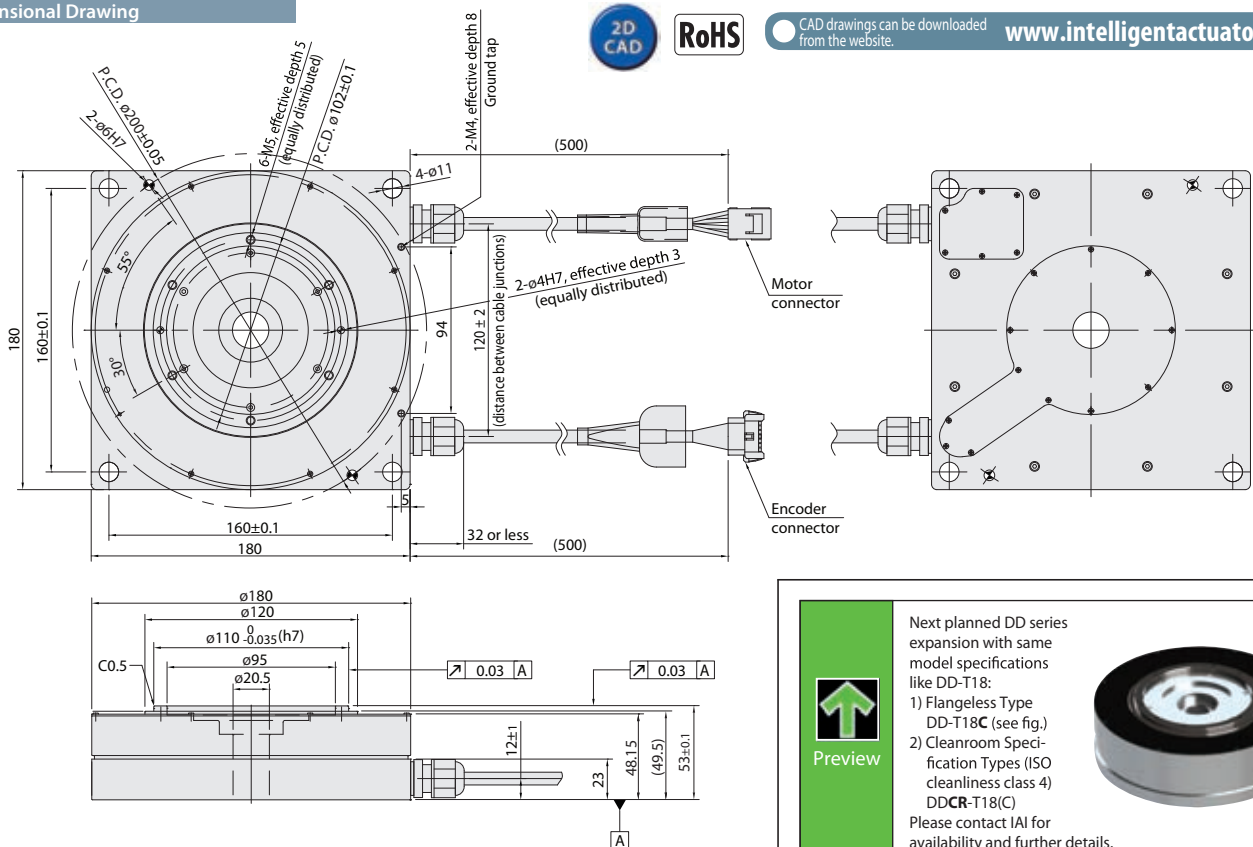
Common Specifications

Drive system	Direct Drive Motor
Positioning repeatability	17-bit: ±0.0055 deg 20-bit: ±0.00103 deg
Allowable dynamic load moment (Note 2)	80 N-m
Encoder resolution (Note 4)	17-bit: 131 072 (pulses/rev) 20-bit: 1 048 576 (pulses/rev)
Allowable thrust load (Note 2)	Pressing: 3400 N [3100 N for the high res. type] Pulling: 250 N
Base material	Aluminum
Ambient operating temperature/humidity	0 to 40°C, 20 to 85% (Non-condensing)
Weight	5.6 kg

Run-out of Output Shaft



Dimensional Drawing



Next planned DD series expansion with same model specifications like DD-T18:

- 1) Flangeless Type DD-T18C (see fig.)
- 2) Cleanroom Specification Types (ISO cleanliness class 4) DDCR-T18(C)

Please contact IAI for availability and further details.



Applicable Controller Specifications

Applicable controllers	Max. number of controlled axes	Operating method	Power supply voltage
SCON-CA	1 Axis	Positioner	230VAC Single-phase
XSEL-P/Q	2 Axes Single-phase 6 Axes Three-phase	Program	230VAC Single-phase 230VAC Three-phase

Note: For DD-T18P, only SCON-CA controller applies.
 Note: The multi-rotation absolute type is not available for SCON-CA with pulse-train control mode.

Caution

(Note 1) The maximum speed may not be reached due to the moving distance or load inertia condition.

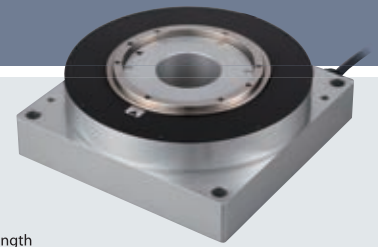
(Note 2) Assuming that the actuator is operated 8 hours a day at the rated speed and smooth operation without shock, the actuator will reach its life in five years based on this load.

(Note 3) The maximum cable length is 30 m. Specify a desired length in meters. (Example: X08 = 8m)

(Note 4) Please consult IAI if you are considering a 20-bit actuator and using it under conditions where the allowable dynamic moment and allowable thrust load will be exceeded.

DD-LT18

Direct Drive Motor Slim type
Large bore



Model Specification Items	DD — LT18 <input type="checkbox"/> — <input type="checkbox"/> — 200 — 360 — T2 — <input type="checkbox"/>
	Series — Type — Encoder type — Motor wattage — Oscillation angle — Applicable controller — Cable length
	S : Standard (17-bit) P : High resolution (20-bit) (Note 4) AI : Index absolute type AM : Multi-rotation absolute type T2 : SCON-CA XSEL-P/Q N : None S : 3m M : 5m X <input type="checkbox"/> : Specified length (Note 3)

Note : Only SCON-CA applies for LT18P

Model/ Specifications

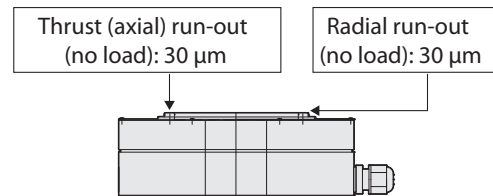
Model number	Encoder type	Motor wattage (W)	Range of operation (deg)	Speed (Note 1) (deg/s)	Rated torque (N-m) (*)	Maximum instantaneous torque (N-m)	Allowable load inertia (kg·m ²)	Rotor inertia (kg·m ²)
DD-LT18①②-200-360-T2-③	Index absolute type Multi-rotation absolute type	200	Refer to P9	1 to 1800	8.4	25.2	0.6	0.001984

Legend ① Encoder resolution ② Encoder type ③ Cable length (*) The value when installed on an IAI rated heat dissipating plate. (Please see P9 for further details.)

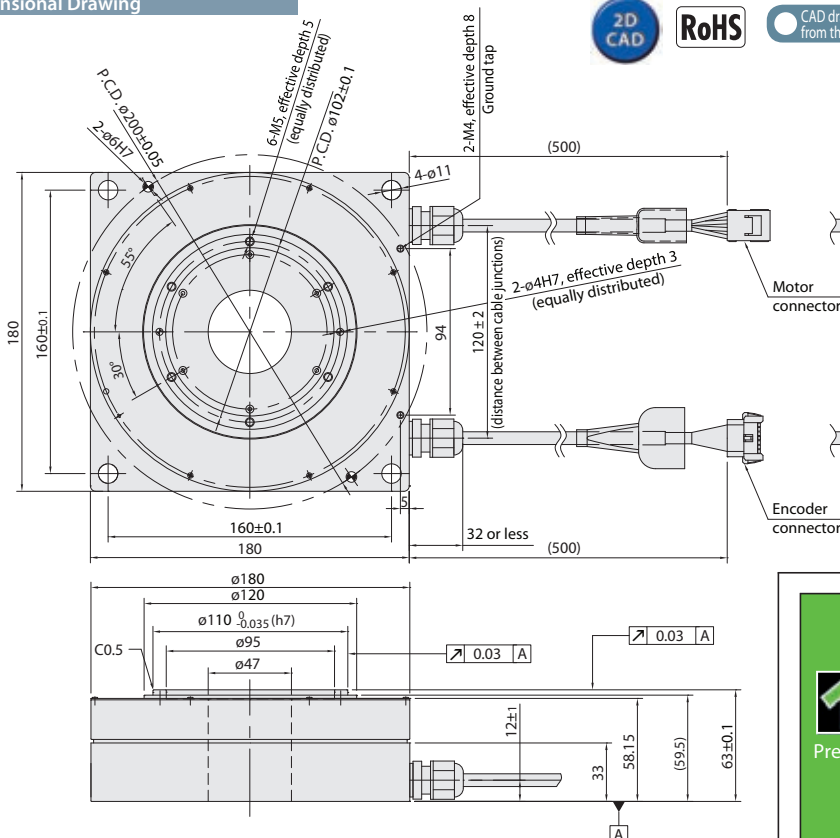
Common Specifications

Drive system	Direct Drive Motor
Positioning repeatability	17-bit: ±0.0055 deg 20-bit: ±0.00103 deg
Allowable dynamic load moment (Note 2)	80 N·m
Encoder resolution (Note 4)	17-bit: 131 072 (pulses/rev) 20-bit: 1 048 576 (pulses/rev)
Allowable thrust load (Note 2)	Pressing: 3400 N [3100 N for the high res. type] Pulling: 250 N
Base material	Aluminum
Ambient operating temperature/humidity	0 to 40°C, 20 to 85% (Non-condensing)
Weight	6.2 kg

Run-out of Output Shaft



Dimensional Drawing

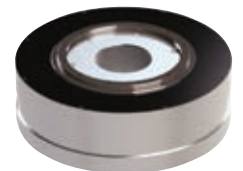


CAD drawings can be downloaded from the website. www.intelligentactuator.de

Next planned DD series expansion with same model specifications like DD-LT18:

- 1) Flangeless Type DD-LT18C (see fig.)
- 2) Cleanroom Specification Types (ISO cleanliness class 4) DDCR-LT18(C)

Please contact IAI for availability and further details.



Applicable Controller Specifications

Applicable controllers	Max. number of controlled axes	Operating method	Power supply voltage
SCON-CA	1 Axis	Positioner	230VAC Single-phase
XSEL-P/Q	2 Axes Single-phase 6 Axes Three-phase	Program	230VAC Single-phase 230VAC Three-phase

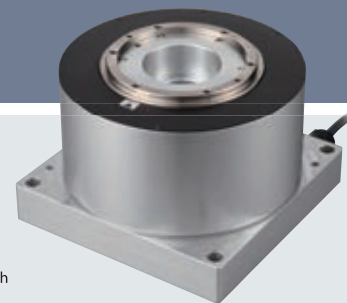
Note: For DD-LT18P, only SCON-CA controller applies.
Note: The multi-rotation absolute type is not available for SCON-CA with pulse-train control mode.



(Note 1) The maximum speed may not be reached due to the moving distance or load inertia condition.
(Note 2) Assuming that the actuator is operated 8 hours a day at the rated speed and smooth operation without shock, the actuator will reach its life in five years based on this load.
(Note 3) The maximum cable length is 30 m. Specify a desired length in meters. (Example: X08 = 8m)
(Note 4) Please consult IAI if you are considering a 20-bit actuator and using it under conditions where the allowable dynamic moment and allowable thrust load will be exceeded.

DD-H18

Direct Drive Motor High-torque type
Standard bore



Model Specification Items

DD — **H18** — — — **600** — **360** — **T2** —

Series — Type — Encoder type — Motor wattage — Oscillation angle — Applicable controller — Cable length

S : Standard (17-bit) AI : Index absolute type 600 : 600W 360 : 360 deg T2 : SCON-CA XSEL-P/Q N : None S : 3m M : 5m X : Specified length (Note 3)

P : High resolution (20-bit) (Note 4) AM : Multi-rotation absolute type

Note : Only SCON-CA applies for H18P

Model/ Specifications

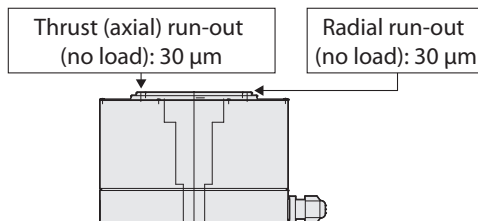
Model number	Encoder type	Motor wattage (W)	Range of operation (deg)	Speed (Note 1) (deg/s)	Rated torque (N-m) (*)	Maximum instantaneous torque (N-m)	Allowable load inertia (kg·m ²)	Rotor inertia (kg·m ²)
DD-H18①-②-600-360-T2-③	Index absolute type Multi-rotation absolute type	600	Refer to p9	1 to 1440	25	75	1.8	0.0106

Legend ① Encoder resolution ② Encoder type ③ Cable length (*) The value when installed on an IAI rated heat dissipating plate. (Please see P9 for further details.)

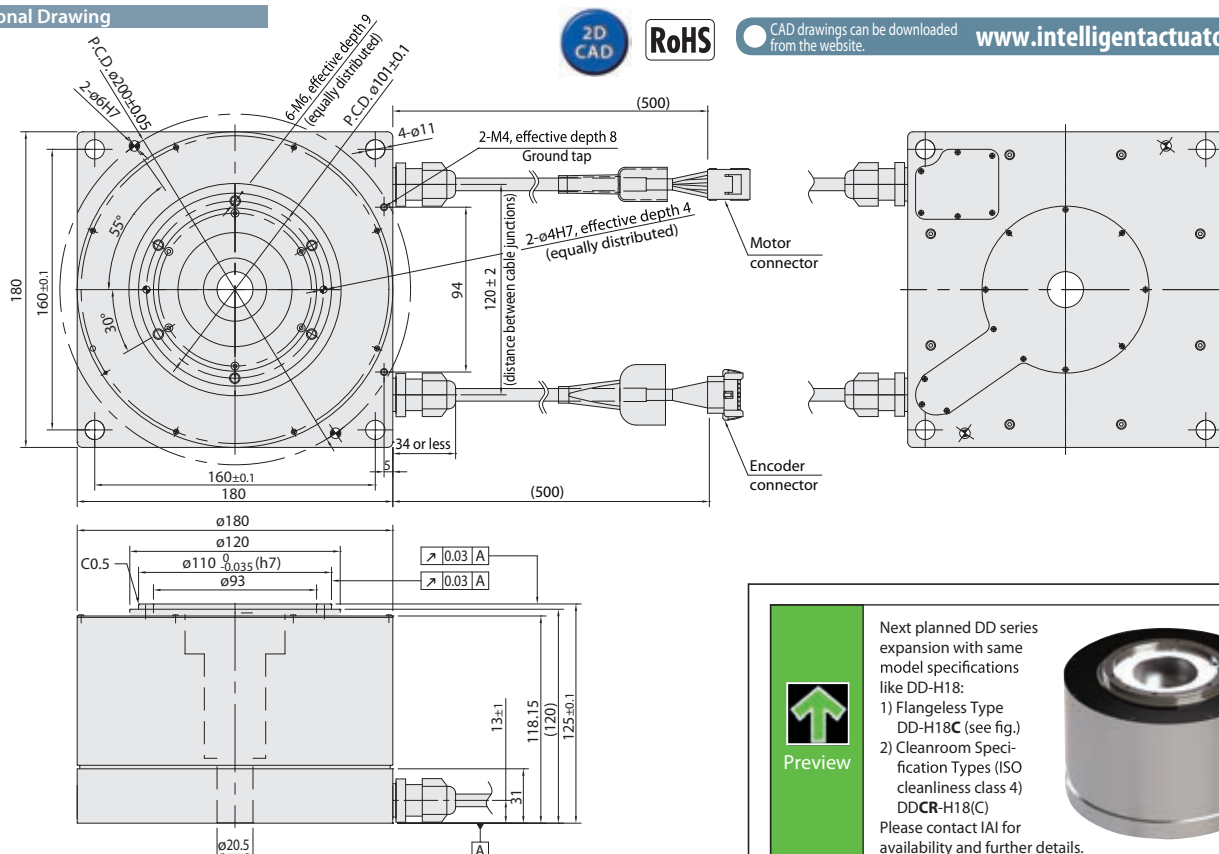
Common Specifications

Drive system	Direct Drive Motor
Positioning repeatability	17-bit: ±0.0055 deg 20-bit: ±0.00103 deg
Allowable dynamic load moment (Note 2)	80 N·m
Encoder resolution (Note 4)	17-bit: 131 072 (pulses/rev) 20-bit: 1 048 576 (pulses/rev)
Allowable thrust load (Note 2)	Pressing: 3400 N [3100 N for the high res. type] Pulling: 250 N
Base material	Aluminum
Ambient operating temperature/humidity	0 to 40°C, 20 to 85% (Non-condensing)
Weight	13.6 kg

Run-out of Output Shaft



Dimensional Drawing



CAD drawings can be downloaded from the website. www.intelligentactuator.de

Next planned DD series expansion with same model specifications like DD-H18:

- 1) Flangeless Type DD-H18C (see fig.)
- 2) Cleanroom Specification Types (ISO cleanliness class 4) DDCR-H18(C)

Please contact IAI for availability and further details.

Applicable Controller Specifications

Applicable controllers	Max. number of controlled axes	Operating method	Power supply voltage
SCON-CA	1 Axis	Positioner	230VAC Single-phase
XSEL-P/Q	1 Axis Single-phase 2 Axes Three-phase	Program	230VAC Single-phase 230VAC Three-phase

Note: For DD-H18P, only SCON-CA controller applies.
Note: The multi-rotation absolute type is not available for SCON-CA with pulse-train control mode.

Caution

(Note 1) The maximum speed may not be reached due to the moving distance or load inertia condition.

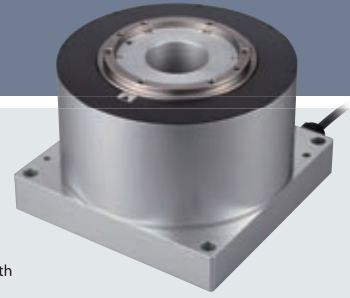
(Note 2) Assuming that the actuator is operated 8 hours a day at the rated speed and smooth operation without shock, the actuator will reach its life in five years based on this load.

(Note 3) The maximum cable length is 30 m. Specify a desired length in meters. (Example: X08 = 8m)

(Note 4) Please consult IAI if you are considering a 20-bit actuator and using it under conditions where the allowable dynamic moment and allowable thrust load will be exceeded.

DD-LH18

Direct Drive Motor High-torque type
Large bore



Model Specification Items

DD — **LH18** — — — **600** — **360** — **T2** —

Series — Type — Encoder type — Motor wattage — Oscillation angle — Applicable controller — Cable length

S : Standard (17-bit) AI : Index absolute type AM : Multi-rotation absolute type
P : High resolution (20-bit) (Note 4)

600 : 600W 360 : 360 deg T2 : SCON-CA XSEL-P/Q
N : None S : 3m M : 5m
X : Specified length (Note 3)

Note : Only SCON-CA applies for LH18P

Model/ Specifications

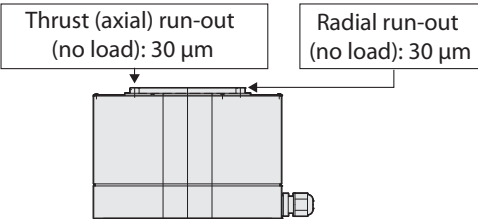
Model number	Encoder type	Motor wattage (W)	Range of operation (deg)	Speed (Note 1) (deg/s)	Rated torque (N-m) (*)	Maximum instantaneous torque (N-m)	Allowable load inertia (kg-m ²)	Rotor inertia (kg-m ²)
DD-LH18①-②-600-360-T2-③	Index absolute type Multi-rotation absolute type	600	Refer to P9	1 to 1440	25	75	1.8	0.0106

Legend ① Encoder resolution ② Encoder type ③ Cable length (*) The value when installed on an IAI rated heat dissipating plate. (Please see P9 for further details.)

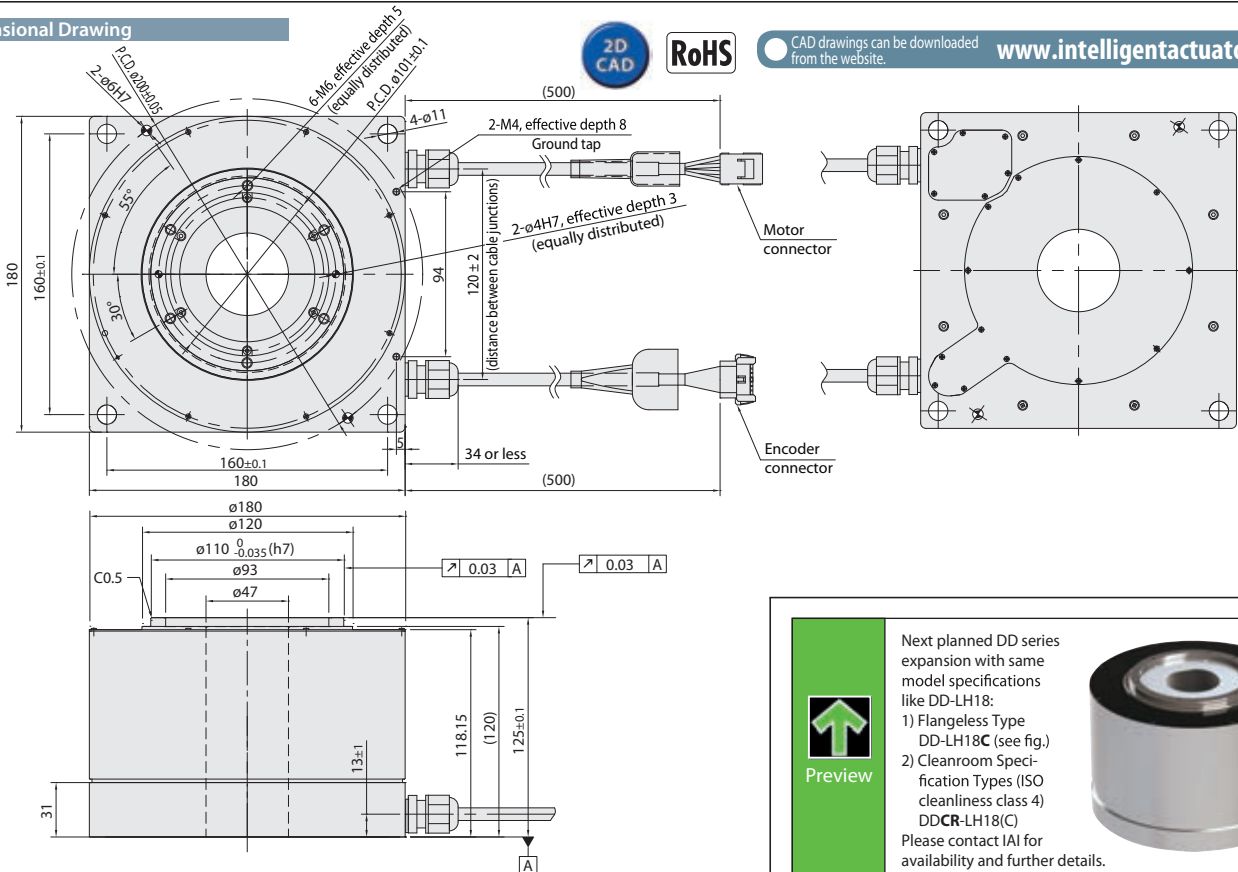
Common Specifications

Drive system	Direct Drive Motor
Positioning repeatability	17-bit: ±0.0055 deg 20-bit: ±0.00103 deg
Allowable dynamic load moment (Note 2)	80 N-m
Encoder resolution (Note 4)	17-bit: 131 072 (pulses/rev) 20-bit: 1 048 576 (pulses/rev)
Allowable thrust load (Note 2)	Pressing: 3400 N [3100 N for the high res. type] Pulling: 250 N
Base material	Aluminum
Ambient operating temperature/humidity	0 to 40°C, 20 to 85% (Non-condensing)
Weight	13.2 kg

Run-out of Output Shaft



Dimensional Drawing



Applicable Controller Specifications

Applicable controllers	Max. number of controlled axes	Operating method	Power supply voltage
SCON-CA	1 Axis	Positioner	230VAC Single-phase
XSEL-P/Q	1 Axis Single-phase 2 Axes Three-phase	Program	230VAC Single-phase 230VAC Three-phase

Note: For DD-LH18P, only SCON-CA controller applies.
Note: The multi-rotation absolute type is not available for SCON-CA with pulse-train control mode.



Caution

- (Note 1) The maximum speed may not be reached due to the moving distance or load inertia condition.
- (Note 2) Assuming that the actuator is operated 8 hours a day at the rated speed and smooth operation without shock, the actuator will reach its life in five years based on this load.
- (Note 3) The maximum cable length is 30 m. Specify a desired length in meters. (Example: X08 = 8m)
- (Note 4) Please consult IAI if you are considering a 20-bit actuator and using it under conditions where the allowable dynamic moment and allowable thrust load will be exceeded.

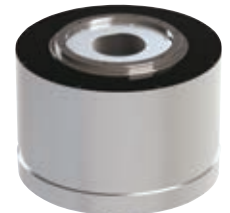


Preview

Next planned DD series expansion with same model specifications like DD-LH18:

- 1) Flangeless Type DD-LH18C (see fig.)
- 2) Cleanroom Specification Types (ISO cleanliness class 4) DD~~CR~~-LH18(C)

Please contact IAI for availability and further details.

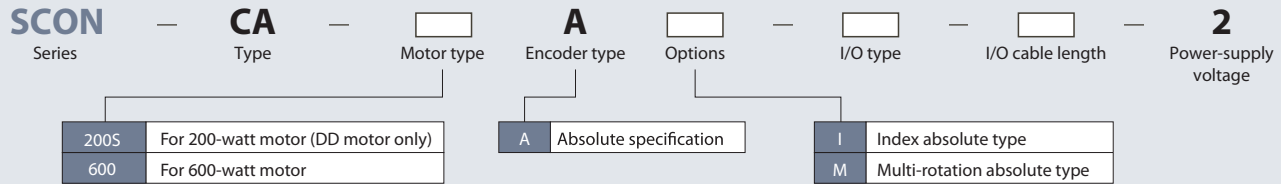


Controller Model Numbers

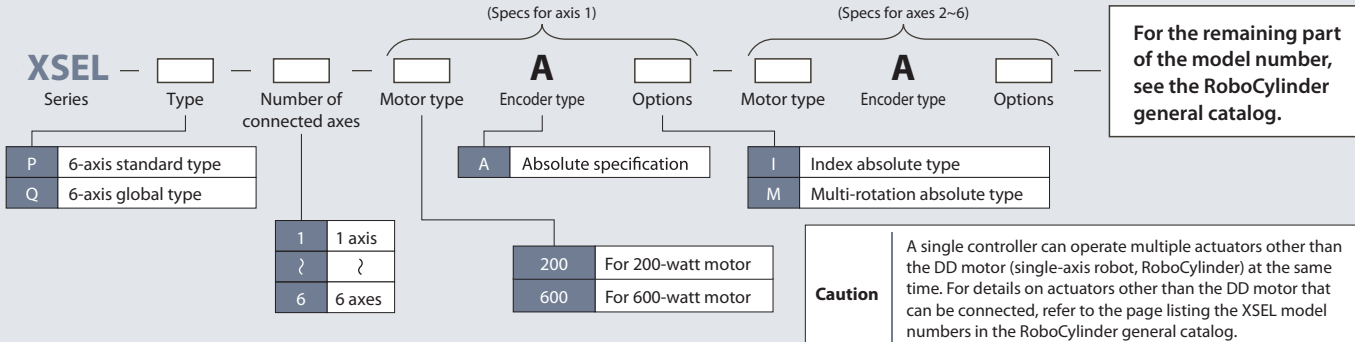
The controller may be selected from the two models described below.

Model Number of Positioner Single-axis Type <SCON-CA>

* Because the 200W driver for the SCON-CA for DD motors is larger than the regular 200-watt type, the motor type will be 200S.

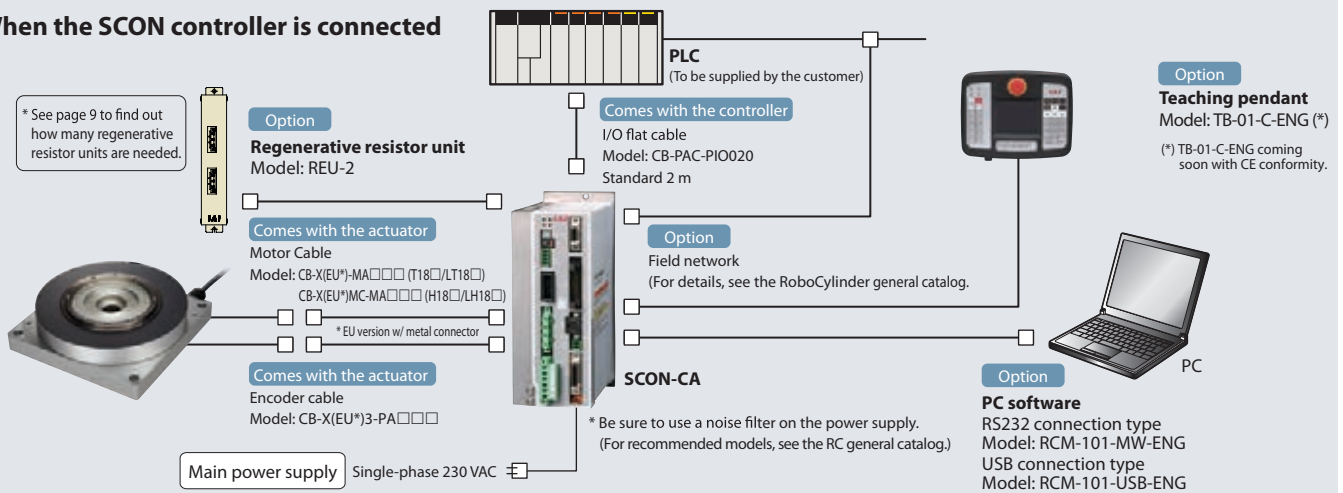


Model Number of Programmable Multi-axis Type <XSEL>

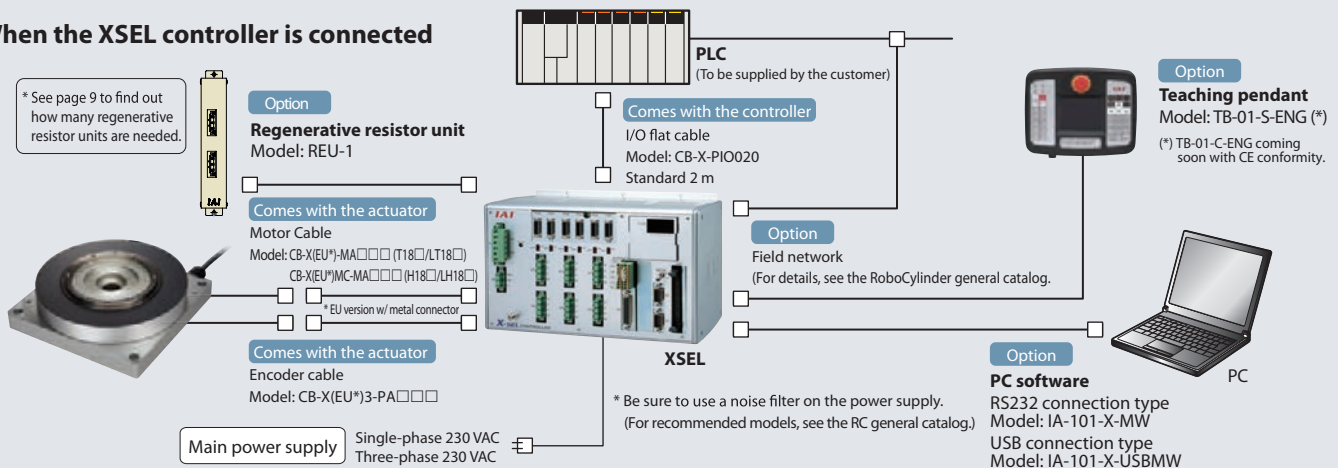


System Configuration

When the SCON controller is connected

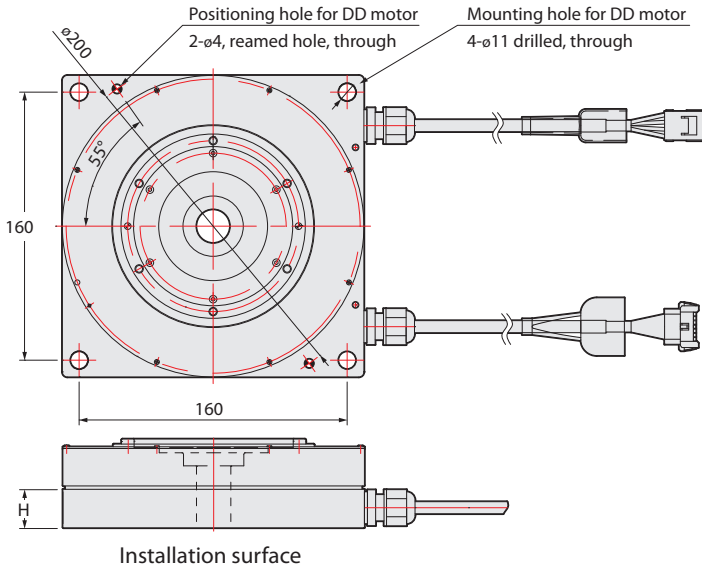


When the XSEL controller is connected



Notes

Installation

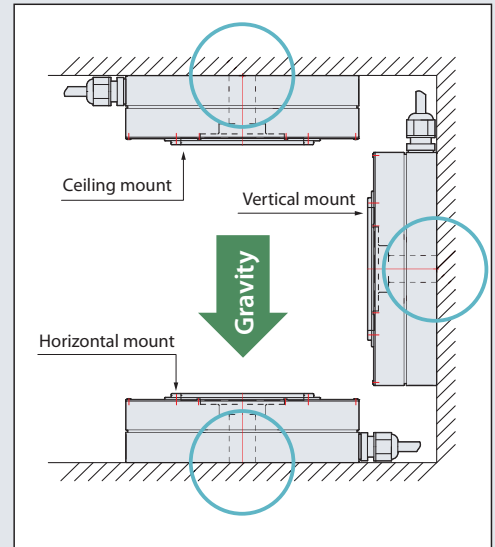


The height "H" measurements

	T18	LT18	H18	LH18
mm	23	33	31	31

(Note) Use this product by installing it on a mounting surface having heat dissipating characteristics equivalent to those of an aluminum plate of 400 x 400 x t10 mm in size. If the installation conditions necessitate lower heat dissipating characteristics, please consult IAI.

Installation Orientation



Operation Types

Two operation types can be selected to suit specific operating conditions. Check the features of the different types of DD motors and other notes before use.

* () indicates at 20-bit resolution

Operation type	Index absolute type		Multi-rotation absolute type	
	SCON-CA	XSEL (*1)	SCON-CA	XSEL (*1)
Operation range	0 to 359.999°		Max. ±9999° (±2520°)*	
Maximum travel per travel command	360°	180° (*2)	Within the above operation range	
Infinite rotation	Available (*3)		Not available	
Home return	Not required		Not required (*4)	
Absolute battery	Not required		Required	

(*1) The high resolution specification can be connected only to the SCON-CA.

(*2) When the XSEL absolute index type travels more than 180° from the current position, it rotates in a direction that requires a shorter travel to reach the target position. Therefore, please note that the direction of rotation changes according to the current position and travel. If you want to specify the direction of travel, use the SCON-CA.

(*3) The index type can be rotated in a given direction infinitely, but it actually cannot continue to rotate in the same direction without stopping, like a regular motor does, because the maximum travel distance per command from the XSEL controller is 180°. If you want to allow the motor to rotate continuously, use the SCON-CA.

(*4) Home return is required for the multi-rotation absolute encoder during the initial setting and replacement of the absolute battery.

Controllers

- The output of the DD motor is 200 watts, but the outside dimensions of the SCON-CA controller are those of the 400-watt type. (For details on the outside dimensions of the SCON-CA, see the RoboCylinder General Catalog.)
- One and two regenerative resistor unit(s) are required for T18□/LT18□ and H18□/LH18□, respectively to operate a DD motor with the SCON-CA.
- When operating DD motor(s) with the XSEL controller, regenerative resistor units are required as shown below:

Number of DD motor(s)		1	2	3	4	5	6
Number of regenerative resistor units	T18□/LT18□	1		2		3	
	H18□/LH18□	2	4	(Cannot be connected)			

- The number of DD motor(s) connectable to the XSEL controller are a max. of 6 units for the T18/LT18 types, and a max. of 2 units for the H18/LH18 types.
- Please note that, when the DD motor is operated with the SCON-CA, the motor cannot be connected to the RoboCylinder gateway function of the XSEL controller.
- Calculation the for power supply value:
 T18/LT18 types: single-phase 600W • three-phase 200W H18/LH18 types: single-phase 1200W • three-phase 600W

Conditions for Selection

The following should be checked to determine whether the DD motor can be used to suit the specific conditions required by the customer:

1 Check Load Conditions

The customer should confirm that the following three points under actual use do not exceed their maximum allowable levels as specified for the DD motor.

[1] Thrust load

The **total load** of device(s) mounted on the actuator

[2] Load moment applied

The **total load moment** of device(s) mounted on the actuator

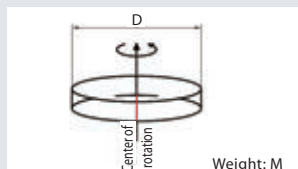
[3] Load inertia

The **load inertia** of device(s) mounted on the actuator

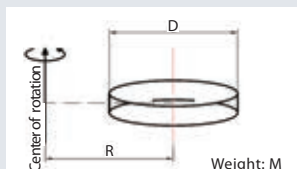
To calculate the load conditions, calculate the load inertia of device(s) mounted on the actuator and check the details with the DD motor selection software. The equations used to calculate the load inertia of typical shapes are shown below for reference purposes.

Download the DD motor selection software from the IAI's website:
www.intelligentactuator.de -> area "download/software"

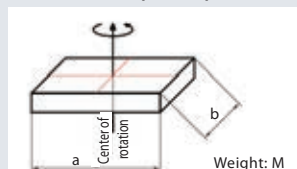
$$J = 1/8 \times M \times D^2$$



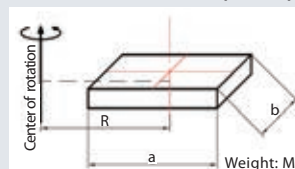
$$J = M \times R^2 + 1/8 \times M \times D^2$$



$$J = 1/12 \times M \times (a^2 + b^2)$$



$$J = M \times R^2 + 1/12 \times M \times (a^2 + b^2)$$



2 Check Operating Conditions

Check the distance, speed, acceleration, deceleration, stop time and other conditions in actual operation against the DD motor specifications to determine whether the DD motor can be used under the applicable operating conditions.

To calculate operating conditions, use the DD motor selection software.

Download the DD motor selection software from the IAI's website:
www.intelligentactuator.de -> area "download/software"

3 Travel Time Guide

The travel time changes according to the load inertia. See the tables below to check the travel time data.

* The data in the tables is only intended as a guide, so the travel time is not guaranteed.

DD-T18/LT18

Load inertia lower limit [kg·m ²]	0	0.005	0.01	0.02	0.03	0.04	0.05	0.06	0.07	0.08	0.09	0.1	0.2	0.3	0.4	0.5
Load inertia upper limit [kg·m ²]	0.005	0.01	0.02	0.03	0.04	0.05	0.06	0.07	0.08	0.09	0.1	0.2	0.3	0.4	0.5	0.6
45° travel time [sec.]	0.09	0.10	0.11	0.12	0.13	0.14	0.15	0.17	0.19	0.21	0.23	0.39	0.62	0.70	0.87	1.11
90° travel time [sec.]	0.12	0.12	0.14	0.16	0.17	0.18	0.20	0.22	0.24	0.26	0.29	0.48	0.73	0.83	1.02	1.23
180° travel time [sec.]	0.17	0.17	0.19	0.21	0.23	0.24	0.27	0.29	0.32	0.35	0.37	0.60	0.89	1.01	1.22	1.42
270° travel time [sec.]	0.22	0.22	0.24	0.26	0.27	0.29	0.32	0.35	0.38	0.41	0.44	0.69	1.00	1.14	1.36	1.68

(Note) The time listed in the above table is the duration from the reception of a travel command until convergence within the positioning band of 0.028 degrees (approximately 100 arcseconds).

DD-H18/LH18

Load inertia lower limit [kg·m ²]	0	0.005	0.01	0.02	0.02	0.03	0.04	0.06	0.08	0.10	0.15	0.2	0.3	0.4	0.6	0.8	1.0	1.2	1.4
Load inertia upper limit [kg·m ²]	0.005	0.01	0.015	0.02	0.03	0.04	0.06	0.08	0.1	0.15	0.2	0.3	0.4	0.6	0.8	1	1.2	1.4	1.8
45° travel time [sec.]	0.098	0.096	0.096	0.097	0.099	0.104	0.113	0.12	0.126	0.14	0.157	0.207	0.257	0.352	0.447	0.53	0.629	0.795	0.875
90° travel time [sec.]	0.129	0.128	0.127	0.128	0.131	0.136	0.144	0.153	0.163	0.184	0.208	0.268	0.329	0.44	0.549	0.646	0.758	0.941	1.035
180° travel time [sec.]	0.192	0.19	0.19	0.191	0.193	0.199	0.207	0.215	0.225	0.249	0.279	0.354	0.428	0.562	0.692	0.806	0.933	1.133	1.257
270° travel time [sec.]	0.254	0.252	0.252	0.253	0.256	0.262	0.27	0.278	0.288	0.312	0.341	0.42	0.504	0.655	0.8	0.925	1.064	1.274	1.415

(Note) The time listed in the above table is the duration from the reception of a travel command until convergence within the positioning band of 0.028 degrees (approximately 100 arcseconds).

DD Series V2b
Catalogue No. 0315-E

The information contained in this catalog
is subject to change without notice for the
purpose of product improvement



IAI Industrieroboter GmbH

Ober der Röth 4
D-65824 Schwalbach / Frankfurt
Germany

Tel.: +49-6196-8895-0

Fax: +49-6196-8895-24

E-Mail: info@IAI-GmbH.de

Internet: <http://www.eu.IAI-GmbH.de>

IAI America, Inc.

2690 W. 237th Street, Torrance, CA 90505, U.S.A
Phone: +1-310-891-6015, Fax: +1-310-891-0815

IAI (Shanghai) Co., Ltd

Shanghai Jiahua Business Centee A8-303.808,
Hongqiao Rd., Shanghai 200030, China
Phone: +86-21-6448-4753, Fax: +86-21-6448-3992

IAI CORPORATION

645-1 Shimizu Hirose, Shizuoka 424-0102, Japan
Phone: +81-543-64-5105, Fax: +81-543-64-5182

IAI Robot (Thailand) Co., Ltd

825 PhairojKijja Tower 12th Floor, Bangna-Trad RD.,
Bangna, Bangna, Bangkok 10260, Thailand
Phone: +66-2-361-4457, Fax: +66-2-361-4456