



## 1-pedal medical foot switch MKF-MED GP111 Material no.: on request

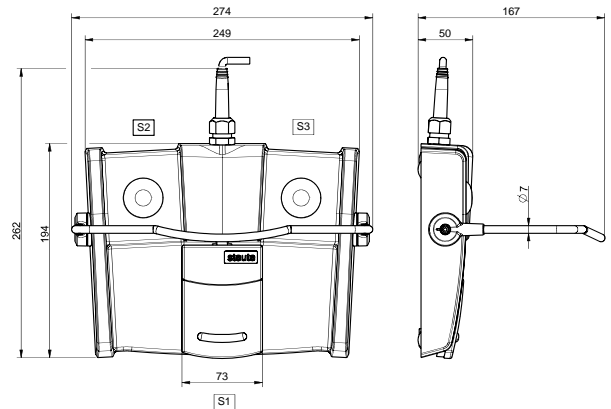
### Product features

- Robust fibreglass-reinforced plastic foot control
- Plastic housing for high stability and low weight
- Waterproof: IPX8 (IEC 60529)
- Wireless signal transmission via steute wireless SW2.4LE-MED (optional)
- Additional push buttons for extra functionality (optional)
- Collapsible stainless steel carrying handle (optional)

#### Notes

- Photo shows optional accessories

### Dimensions



### Technical data

#### Applied standards

IEC 60601-1, ANSI/AAMI ES60601-1, IEC 60529

#### Pedal

thermoplastic, shock-proof, self-extinguishing UL 94 V-0/V-2

#### Housing

thermoplastic, shock-proof, self-extinguishing UL 94 V-0,  
Pantone Cool Gray 1C

#### Degree of protection

IPX8 (IEC/EN 60529)

#### Switching elements

reed contact / micro switch / Hall sensor

#### Switching system

1 – 2 NO contacts / 1 change-over / analogue output 0 ... 10  
VDC, 0 ... 20 mA, 4 ... 20 mA

#### Mechanical life

> 1 million operations

#### Connection

2 m cable, other lengths optionally available

#### Switching voltage

max. 25 VAC / 60 VDC

#### Switch-on current

max. 1 A

#### Switching capacity

Reed contacts: max. 20 VA, micro switch: max. 30 VA

#### Supply voltage Hall sensor

15 ... 30 VDC / max. 25 mA

Errors and omissions excepted.