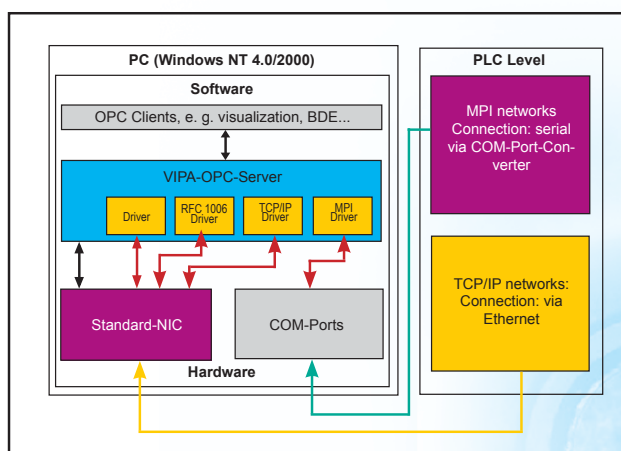




## VIPA OPC Server

MPI, TCP/IP and RFC1006



### VIPA OPC Server

The OPC Server is a worldwide standardized interface for data access from OPC clients to PLC systems.

The VIPA OPC Server is supporting MPI, TCP/IP and RFC1006 protocols. With the Green Cable and CPUs from VIPA with MP<sup>2</sup> interface it is also possible to set-up serial point-to-point connections for data exchange.

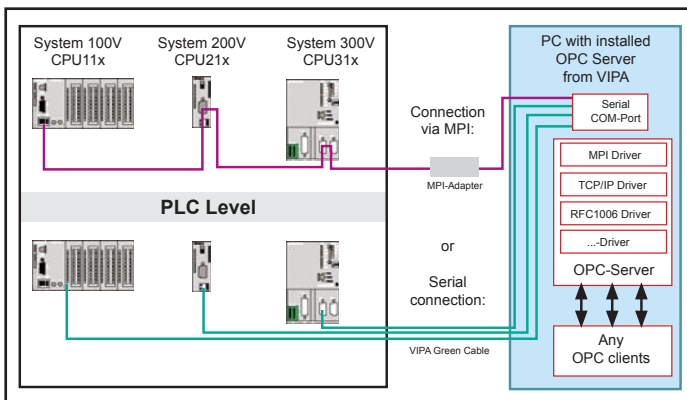
### Features:

- Standardized interface between hardware controllers and software applications of different manufacturers according to OPC Data Access V1.0 and V2.0
- Operation under Windows NT4.0/2000/XP
- Modular driver connection (MPI, TCP/IP and RFC1006)
- Integrated simulation mode for simplified project engineering
- Project engineering via OPC Editor independent from OPC Server possible
- OPC client test software contained in scope of delivery

**VIPA**<sup>®</sup>  
art of automation

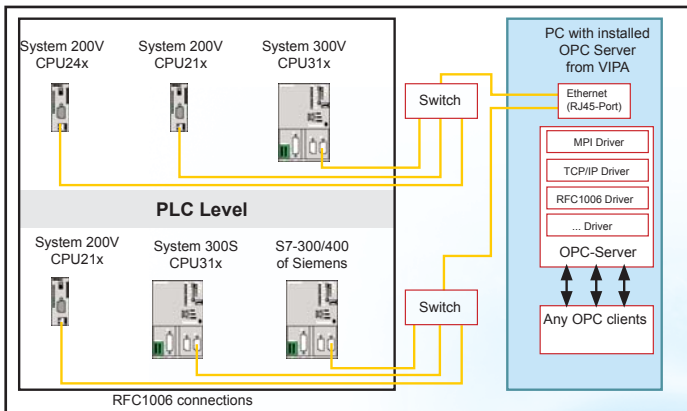


## OPC Server connection via MPI driver



- Connection via PC-MPI-Adapter to CPUs from VIPA or other manufacturers
- Connection via VIPA Green Cable (serial point-to-point connection) to VIPA CPUs with MPI interface
- Remote connection of additional OPC clients via standard Ethernet network interface cards possible

## OPC Server connection via Ethernet Read/Write



- Connection via standard Ethernet network interface cards to CPUs from VIPA or other manufacturers
- Remote connection of additional OPC clients via standard Ethernet network interface cards possible

### VIPA Article No.

VIPA SW110A1LA	OPC server MPI driver, single licence
VIPA SW110A2LA	OPC server RFC1006 driver, single licence
VIPA SW110A3LA	OPC server TCP/IP driver (Read/Write), single licence
VIPA SW900T0LA	ToolDemo-CD, complete VIPA-Software-Collection
	WinPLC7, Movicon11 Editor, OP-Manager, TD-Wizard, OPC-Server, WinCoCT,
	WinNCS, GSD-/EDS-Files, handling blocks, Driver, How-to-do's

Company licences on request

S7-300 and S7-400 are registered trademarks of Siemens AG.