

GLS 126 NT

Technical data

GLS	126 NT ¹	126 NT-HCL ²	126 NT-MV ³
Electrical			
Supply voltage U _{Sp}	10 ... 30 VDC	10 ... 30 VDC	12 ... 60 VDC
Current consumption (without load)	Max. 40 mA	Max. 30 mA	Max. 30 mA
Outputs (short-circuit-proof)	PNP/NPN	NPN	PNP
Max. output current	120 mA	200 mA	200 mA
Output saturation voltage			
- NPN (I _L = 100 mA)	< 0.5 V	< 0.5 V	
- PNP (I _L = 100 mA)	< 2.0 V		< 0.5 V
Max. capacitive load	100 nF	1,000 μF	10 μF
Max. response time	1 ms	1 ms	1 ms
Max. repetitive accuracy	0.5 mm	0.5 mm	0.5 mm
Max. hysteresis	1 mm	1 mm	1 mm
Mechanical and optical			
Fork gap	26 mm	26 mm	26 mm
Min. light reserve	5,000%	5,000%	2,500%
Max. ambient light	100,000 Lux	100,000 Lux	100,000 Lux
Housing material	ABS	ABS	ABS
Enclosure rating	IP65	IP65	IP65
Temperature range	-20 °C ... +60 °C	-20 °C ... +60 °C	-20 °C ... +60 °C
Connection cable and electrical connection			
Cable length	0.2 / 2 / 3.5 / 5 m	0.2 / 2 / 3.5 / 5 m	0.2 / 2 / 3.5 / 5 m
Diameter	Ø 4 mm	Ø 4 mm	Ø 4 mm
Wires	AWG24	AWG24	AWG24
• brown	U _{Sp}	U _{Sp}	U _{Sp}
• blue	GND (0 V)	GND (0 V)	GND (0 V)
• black	Output	Output	Output
General			
EMC emission	EN 12015:2014	EN 12015:2014	EN 12015:2014
EMC immunity	EN 12016:2013	EN 12016:2013	EN 12016:2013
Vibration	IEC 60068-2-6:2007	IEC 60068-2-6:2007	IEC 60068-2-6:2007
Shock	IEC 60068-2-27:2008	IEC 60068-2-27:2008	IEC 60068-2-27:2008
RoHS	2011/65/EU	2011/65/EU	2011/65/EU
Certificates	CE, CSA	CE, CSA	CE, CSA

1 = New Technology 2 = High Capacitive Load 3 = Medium Voltage



CEDES AG is certified according to ISO 9001: 2015.

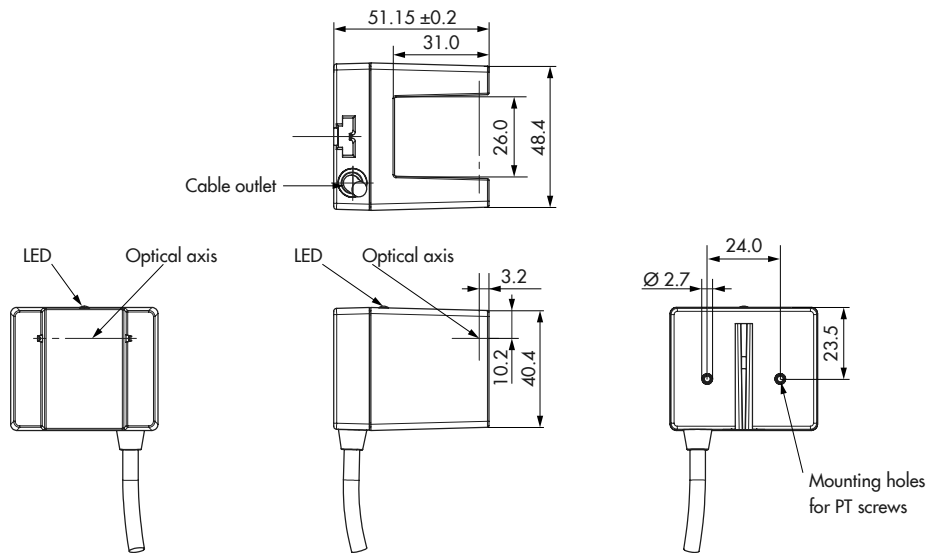
Features

- Very high repetitive accuracy of ±0.5 mm
- Immunity to smoke, dust and dirt
- Easy mounting
- Ready to install cable and plug available
- Can be made to customer's specifications
- Impressive price-performance ratio

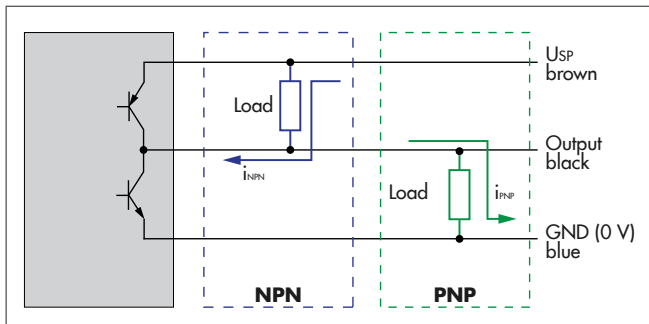


Dimensions

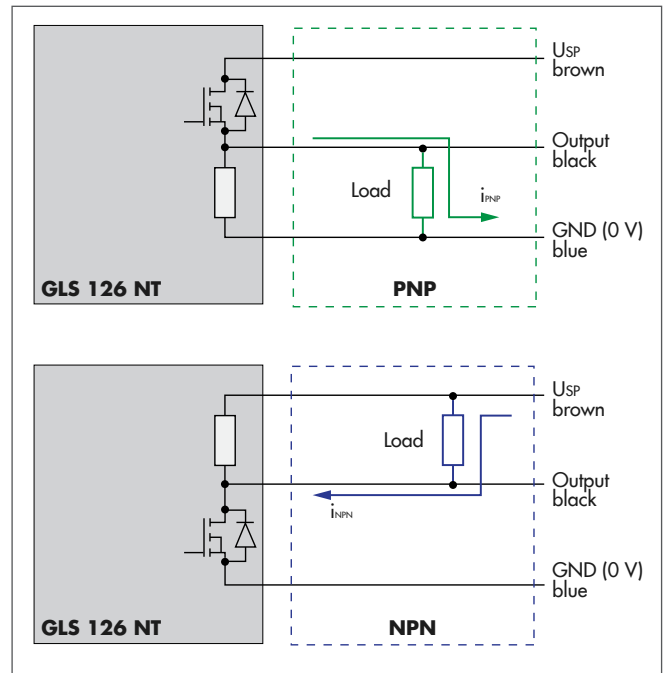
All dimensions in mm



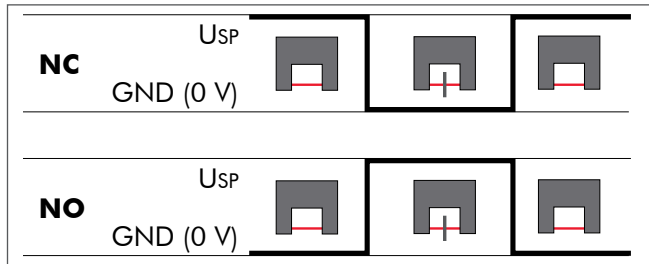
Connections - PNP/NPN



GLS with SmartFET output (PNP or NPN)



Output logic



Application example

