



Pull-wire switch

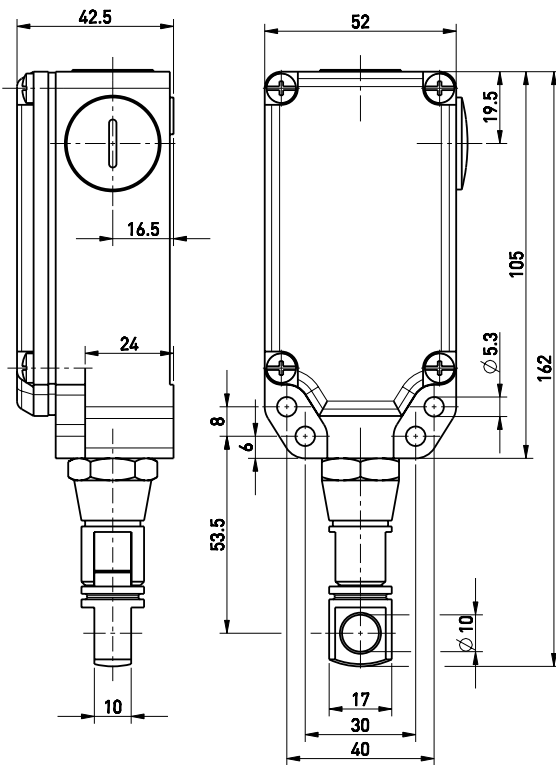
ZS 71 Z 10/1S

Material number: 1179743 (Material number old: 71141919)

Features/Options

- Metal enclosure
- Wall mounting
- Snap action: 2 contacts
- Pull-wire function without latching

Dimensions

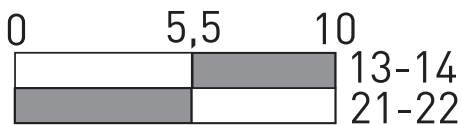


Technical data

Standards	EN 60947-5-1
Enclosure	aluminium die-cast, powder-coated
Cover	thermoplastic, ultramid
Degree of protection	IP 65 to IEC/EN 60529
Contact material	silver
Switching elements	change-over contact with double break, galvanically separated contact bridges
Switching system	snap action, positive break NC contacts ⊖
Connection	screw connection terminals
Cable cross-section	max. 2.5 mm ² (incl. conductor ferrules)
Cable entry	2 x M20 x 1.5
U_{imp}	6 kV
U_i	400 V
I_{the}	6 A
Utilisation category	AC-15
I_e/U_e	6 A/400 VAC
Max. fuse rating	6 A gG/gN fuse
Ambient temperature	-25 °C ... +70 °C
Mechanical life	> 1 million operations
Operation cycles	1800/h
Actuating force	max. 80 N
Features	pull-wire function without latching
Approvals	
Weight	380 g

Errors and omissions excepted.

Switching diagram



Contact diagram

